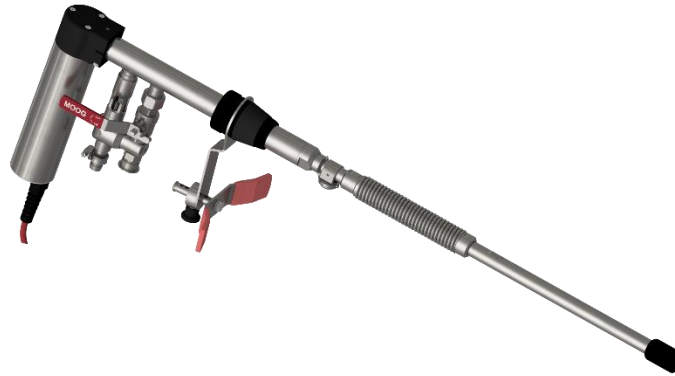


Hand-held device for barrel cleaning at the storage location

- Cleaning head R40
- 360° beam coverage
- Barrels from 225-600 liters
- Electric drive
- Speed 17 rpm
- Working pressure 80-120 bar
- Delivery rate 15-20 liters/minute
- Bunghole > ø37 mm
- INOX 316L


General description


The BRA Flex PR.000.031 hand-held device for cleaning barrels at the storage location with electric drive consists of a cleaning head, an electric motor and a connecting pipe with a flexible squeegee.

The electric motor drives the rotary movement via an angular gearbox in the connecting tube to the cleaning head. The cleaning head accommodates the cleaning nozzles. The suction pipe connects to the cleaning head via a flexible insert.

This modular design means that the individual elements can be replaced and quickly put back into operation if servicing is required.

Product features

- | | |
|--------------------------|--|
| Functionality | <ul style="list-style-type: none"> • Hand-held unit simultaneously cleans the inside of the barrel and extracts the dirty water. • Integrated injector system generates a vacuum through the high pressure and sucks the barrel empty during and after the cleaning process. • Rotation of cleaning head and cleaning nozzles achieves 360° jet coverage • Flexible suction foot for stacked barrels |
| Adjustability | <ul style="list-style-type: none"> • Sheet pile fixing suitable for sheet pile holes from 37 - 56 mm • Height-adjustable and adjustable barrel support |
| Functional safety | <ul style="list-style-type: none"> • Designed for durability and easy maintenance • Very low operating noise |
| Variants | <ul style="list-style-type: none"> • Other pipe lengths possible on request • Other drives possible on request |

Technical data

Drive	electric	100 - 240VAC
Hydraulic data	Working pressure recommended minimum	80 bar
	Recommended maximum working pressure	120 bar
	Delivery rate recommended minimum	15 l/min
	Recommended maximum flow rate	20 l/min
	Beam cover	360°
	Maximum temperature	90 °C
	Connection	M22x1.5
Mechanical data	Nozzles	2 pieces 5°
	Speed	17 revolutions/minute
	Cycle complete	3-5min ~60 revolutions
Material	Cleaning head	AISI 316 INOX
	Connecting tube	AISI 316 INOX
	Seals	FPM Viton
Installation data	Bunghole	larger Ø37 mm
Logistical data	Dimensions	949 x 328 x 61 mm
	Weight	7.2 kg
Approvals	CE	
	CSA	

Safety instructions


- This barrel cleaner is only suitable for cleaning the inside of barrels.
- The appliance is only intended for use with fresh water (see www.moog.ch). Always observe the operating conditions and performance limits specified in the technical data sheet.
- This appliance is a technical tool and is not intended for private use. Proper transportation and storage are also prerequisites for its intended use.

Installation instructions

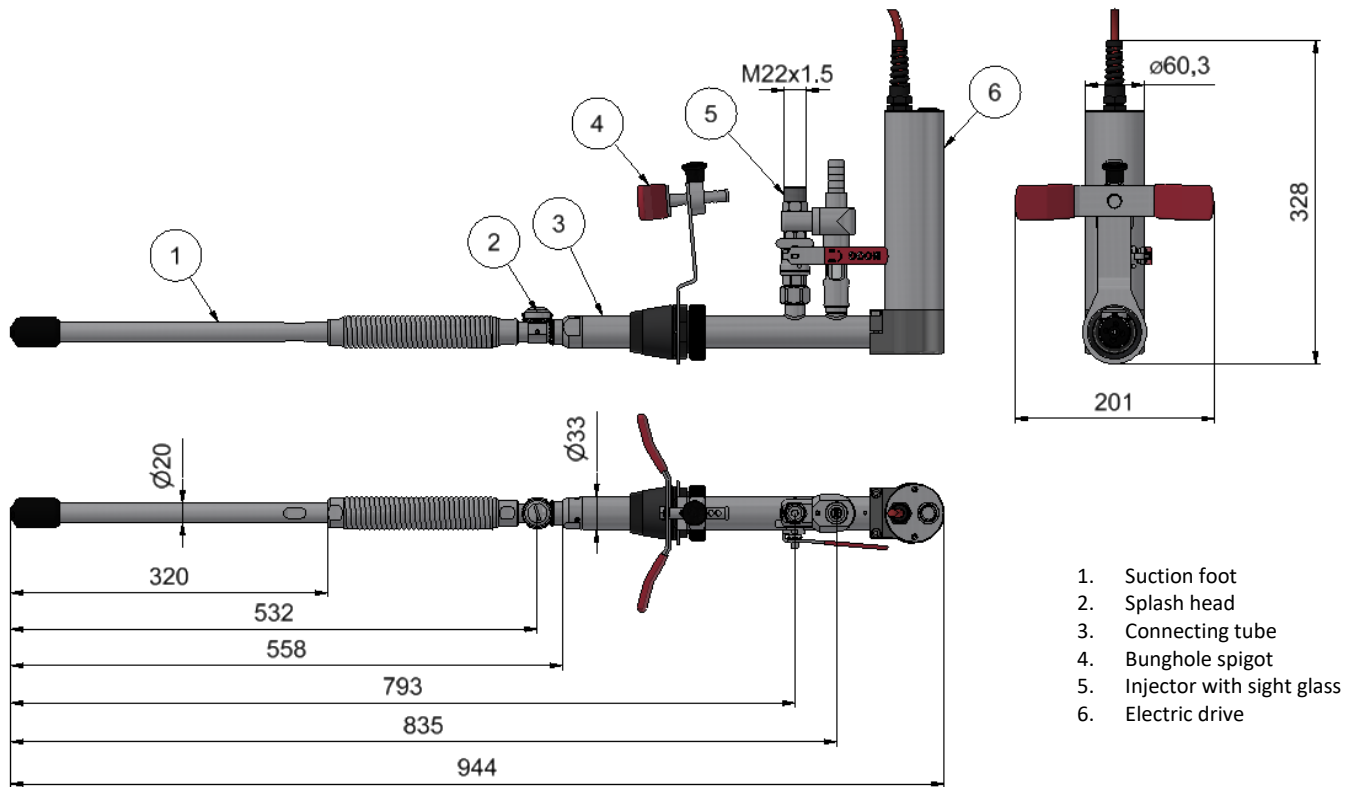
Maintenance Clean the nozzles with compressed air or with a very thin metal rod if they are clogged with dirt. If necessary, replace the nozzles with similar nozzles with identical nozzle openings.

The maintenance intervals vary depending on the duration of use, pressure range, media temperature and any cleaning agent used. These must be determined individually during trial operation. The operator is responsible for adhering to the maintenance intervals.

Maintenance must be carried out approximately every 300 operating hours and all seals must be replaced.

The ball bearings must be replaced with original bearings after 2000 operating hours at the latest.

Dimensions



Accessories and spare parts

Accessories and spare parts www.moog.ch
 Contact Sales +41 31 838 19 19

Documentations

- Further documentation
- Operating instructions
 - Spare parts overview
 - Spare parts price list
 - Certificates
 - Declaration of conformity